

# 8" (Ø272 mm) Technical information

Tank unit / Adapter and Hose unit / Coupler



| Material        | Maximum working pressure | Test pressure    | Minimum Burs Pressure |
|-----------------|--------------------------|------------------|-----------------------|
| Aluminium       | 10 bar / 145 psi         | 15 bar / 218 psi | 50 bar / 726 psi      |
| Stainless Steel | 16 bar / 232 psi         | 24 bar / 348 psi | 80 bar / 1160 psi     |

## Connections

8" in BSP, NPT and Flanged inlet

## Applications

The 8" (Ø272 mm) is recommended for marine bunkering, ship to shore transfer, ship to ship transfer and ship to rig transfer or on any application where spillage needs to be minimized.

## Media

**Petroleum products:** Gasoline, diesel, oil etc.

**Chemical products:** Ethylene Oxide, Propylene Oxide, Acrylonitrile, Butadiene, Ammonia, Vinyl Chloride, Toluene, Xylene, Sulphuric Acid, Phenol etc.

**Gas:**

**Dry powder:** Chocolate powder e.t.c.

## Material

Aluminium, Brass/Gunmetal, Stainless Steel, Hastelloy and PEEK. Other materials on request.

## Seals

Standard seals in FPM (Viton®), EPDM, Chemraz®, Kalrez®, NBR (Nitrile). Other materials on request.

## High Flow Rates / Low Pressure Drop

Allows maximum product transfer with minimal losses

## Recommended Maximum Flow Rates

4000 litres/minute (fuel)

## Selectivity

### - Avoid mixing products:

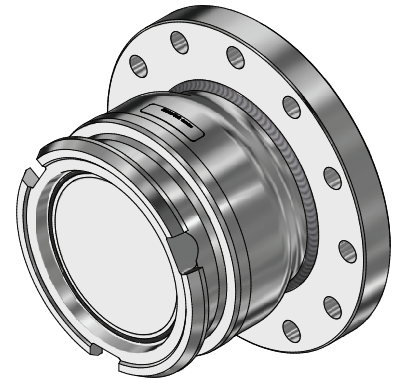
To avoid product contamination caused by connecting a hose unit to the wrong tank unit, selective versions of the hose and tank units are available. Each unit has a number of selective positions, designated by a coded part number according to the coupling size - specify when placing order.

## Hose unit with Integrated Swivel

All hose units are designed with integrated Swivel

## 8" (Ø272mm) Tank unit / Adapter, Flanged inlet

| Flange <sup>1)</sup> | Body Material <sup>2)</sup> | Seal <sup>3)</sup>               | Weight |     | Code No    |
|----------------------|-----------------------------|----------------------------------|--------|-----|------------|
|                      |                             | O-ring                           | kg     | lbs |            |
| DN 200 PN 10 Type A  | AI                          | Standard:<br>FPM/FKM<br>(Viton®) | -      | -   | T8102A1101 |
| DN 200 PN 16 Type A  |                             |                                  |        |     | T8103A1101 |
| 8" ANSI 150 psi      |                             |                                  |        |     | T8105A1101 |
| DN 200 PN 10 Type B  | SS                          |                                  | -      | -   | T8102A4401 |
| DN 200 PN 16 Type B  |                             |                                  |        |     | T8103A4401 |
| 8" ANSI 150 psi      |                             |                                  |        |     | T8105A4401 |

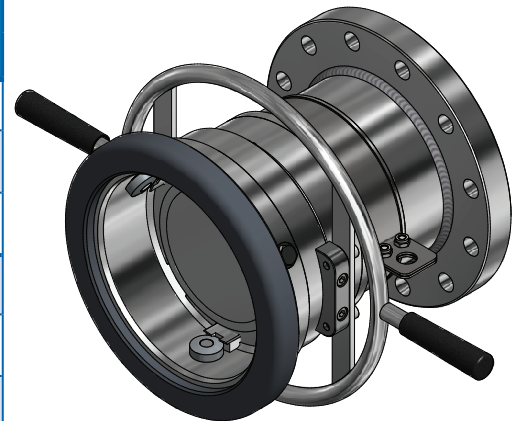


- 1) Flanges according to EN 1092 , ANSI B16.5 and DIN 28459.  
 2) **Mtrl:** AI=Aluminium, SS=Stainless Steel  
 3) Standard seal. Other on request.

Viton® (FPM) and Teflon® (FPM/KPM) are registered trademarks of DuPont, DuPont Elastomers. Vulkollan® is registered trademark of Bayer AG

## 8" (Ø272mm) Hose unit / Coupler, Flanged inlet

| Flange <sup>1)</sup> | Material <sup>2)</sup> | Seal <sup>3)</sup>               | Weight |     | Code No    |
|----------------------|------------------------|----------------------------------|--------|-----|------------|
|                      |                        | O-ring                           | kg     | lbs |            |
| DN 200 PN 10 Type A  | AI                     | Standard:<br>FPM/FKM<br>(Viton®) | -      | -   | S8102A1101 |
| DN 200 PN 16 Type A  |                        |                                  |        |     | S8103A1101 |
| 8" ANSI 150 psi      |                        |                                  |        |     | S8105A1101 |
| DN 200 PN 10 Type B  | SS                     |                                  | -      | -   | S8102A4401 |
| DN 200 PN 16 Type B  |                        |                                  |        |     | S8103A4401 |
| 8" ANSI 150 psi      |                        |                                  |        |     | S8105A4401 |



- 1) Flanges according to EN 1092 , ANSI B16.5 and DIN 28459.  
 2) **Mtrl:** AI=Aluminium EN, SS=Stainless Steel  
 3) Standard seal. Other on request.

Viton® (FPM) and Teflon® (FPM/KPM) are registered trademarks of DuPont, DuPont Elastomers. Vulkollan® is registered trademark of Bayer AG