

1" (Ø56 mm) Technical Information

Tank unit / Adapter and Hose unit / Coupler



Material	Maximum working pressure	Test pressure	Minimum Burs Pressure
Aluminium	16 bar / 232 psi	24 bar / 348 psi	80 bar / 1160 psi
Brass/Gun Metal	16 bar / 232 psi	24 bar / 348 psi	80 bar / 1160 psi
Stainless Steel	25 bar / 363 psi	37,5 bar / 544 psi	125 bar / 1813 psi
Titan	25 bar / 363 psi	37,5 bar / 544 psi	125 bar / 1813 psi
Hastelloy	25 bar / 363 psi	37,5 bar / 544 psi	125 bar / 1813 psi
Peek	6 bar / 87 psi	9 bar / 131 psi	30 bar / 435 psi

Connections

3/4", 1" and 1 1/4" in BSP, NPT and Flanged inlet

Applications

For industrial process plant, road and rail tankers, IBC containers, Pharmaceutical and Petrochemical industries etc.

Recommended for all types of mini bulk liquid product transfer, including container and drum filling, or on any application where spillage needs to be minimized.

Media

Petroleum products: Gasoline, diesel, oil etc.

Chemical products: Ethylene Oxide, Propylene Oxide, Acrylonitrile, Butadiene, Ammonia, Vinyl Chloride, Toluene, Xylene, Sulphuric Acid, Phenol etc.

Dry powder: Chocolate powder e.t.c.

Material

Aluminium, Brass/Gunmetal, Stainless Steel, Hastelloy and PEEK. Other materials on request.

Seals

Standard seals in FPM (Viton®), EPDM, Chemraz®, Kalrez®, NBR (Nitrile). Other materials on request.

High Flow Rates / Low Pressure Drop

Allows maximum product transfer with minimal losses

Recommended Maximum Flow Rates

200 litres/minute (fuel)

Selectivity

- Avoid mixing products:

To avoid product contamination caused by connecting a hose unit to the wrong tank unit, selective versions of the hose and tank units are available. Each unit has a number of selective positions, designated by a coded part number according to the coupling size - specify when placing order.

Interchangeability:

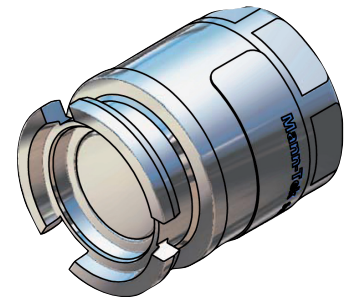
Compatibility with other existing brands, e.g. TODO-matic and Fulcrum couplings.

Hose unit with Integrated Swivel

All Hose units are designed with integrated Swivel

1" (Ø56 mm) Tank unit / Adapter

Connection ¹⁾ Inch/DN	Body Material ²⁾	Seal ³⁾		Weight		Code No
		O-ring	Flat seal	kg	lbs	
F 1/2" BSP	Al		PUR (Vulkollan®)	0,3	0.66	T1133A1101B
F 3/4" BSP						T101A1101B
F 1" BSP						T103A1101B
F 1 1/4" BSP						T105A1101B
F M54x1,5						T1138A1101B
F 1/2" NPT						T1132A1101
F 3/4" NPT						T102A1101
F 1" NPT						T104A1101
F 1 1/4" NPT						T106A1101
F 1/2" BSP	Br		PUR (Vulkollan®)	0,7	1.54	T1133A2201B
F 3/4" BSP						T101A2201B
F 1" BSP						T103A2201B
F 1 1/4" BSP						T105A2201B
F M54x1,5						T1138A2201B
F 1/2" NPT						T1132A2201
F 3/4" NPT						T102A2201
F 1" NPT						T104A2201
F 1 1/4" NPT						T106A2201
F 1/2" BSP	SS	Standard: FPM/FKM (Viton®) Other on request	PTFE (Teflon®)	0,7	1.54	T1133A4401B
F 3/4" BSP						T101A4401A
F 1" BSP						T103A4401A
F 1 1/4" BSP						T105A4401A
F M54x1,5						T1138A4401A
F 1/2" NPT						T1132A4401
F 3/4" NPT						T102A4401
F 1" NPT						T104A4401
F 1 1/4" NPT						T106A4401
F 3/4" BSP	Titan		PTFE (Teflon®)	0,4	0.88	T101A6601A
F 1" BSP						T103A6601A
F 1 1/4" BSP						T105A6601A
F 3/4" NPT						T102A6601
F 1" NPT						T104A6601
F 1 1/4" NPT	T106A6601					
F 3/4" BSP	Hastelloy		PTFE (Teflon®)	0,8	1.76	T101A7701A
F 1" BSP						T103A7701A
F 1 1/4" BSP						T105A7701A
F 3/4" NPT						T102A7701
F 1" NPT						T104A7701
F 1 1/4" NPT	T106A7701					
F 3/4" BSP	PEEK		PTFE (Teflon®)	0,1	0.22	T101A9901A
F 1" BSP						T103A9901A
F 1 1/4" BSP						T105A9901A
F 3/4" NPT						T102A9901
F 1" NPT						T104A9901
F 1 1/4" NPT	T106A9901					



1) Female thread BSP=ISO 228, NPT=ANSI B1.20.1

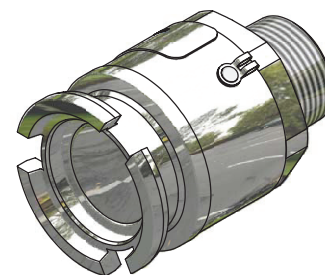
2) **Mtrl:** Al=Aluminium, Br=Brass, SS=Stainless Steel, Ti=Titan, Ha=Hastelloy, PE=PEEK

3) Standard seal. Other on request.

Viton® (FPM) and Teflon® (FPM/KPM) are registered trademarks of DuPont, DuPont Elastomers. Vulkollan® is registered trademark of Bayer AG

1" (Ø56 mm) Tank unit / Adapter - Male thread

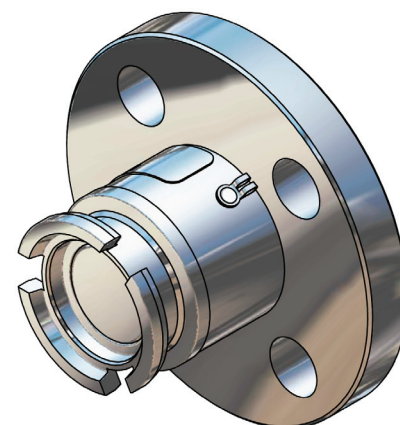
Connection ¹⁾ Inch/DN	Material ²⁾	Seal ³⁾	Weight		Code No		
		O-ring	kg	lbs			
M 3/4" BSP	Al	Standard: FPM/FKM (Viton®)			T169A1101		
M 3/4" NPT					T170A1101		
M 1" BSP					T171A1101		
M 1" NPT					T172A1101		
M 3/4" BSP	Br		Other on request			T169A1101	
M 3/4" NPT						T170A1101	
M 1" BSP						T171A1101	
M 1" NPT						T172A1101	
M 3/4" BSP	SS			Other on request			T169A4401
M 3/4" NPT							T170A4401
M 1" BSP							T171A4401
M 1" NPT							T172A4401



- 1) Male thread BSP=ISO 228, NPT=ANSI B1.20.1
 2) **Mtrl:** Al=Aluminium, Br=Brass, SS=Stainless Steel,
 3) Standard seal. Other on request.

1" (Ø56 mm) Tank unit / Adapter, Flanged inlet

Flange ¹⁾	Body Material ²⁾	Seal ³⁾	Weight		Code No		
		O-ring	kg	lbs			
undrilled	Al	Standard: FPM/FKM (Viton®)	1,1	2.42	T118A1101		
DN 25 PN 10 / 16 Type A					T123A1101		
DN 25 PN 25 / 40 Type A					T124A1101		
1" ANSI 150 PSI					T151A1101		
1 " ANSI 300 PSI					T152A1101		
undrilled	Br		Other on request	1,6	3.53	T118A2201	
DN 25 PN 10 / 16 Type B						T123A2201	
DN 25 PN 25 / 40 Type B						T124A2201	
1" ANSI 150 PSI						T151A2201	
1" ANSI 300 PSI						T152A2201	
undrilled	SS			Other on request	1,5	3.31	T118A4401
DN 25 PN 10 / 16 Type B							T123A4401
DN 25 PN 25 / 40 Type B							T124A4401
1" ANSI 150 PSI							T151A4401
1" ANSI 300 PSI							T152A4401
undrilled	Titan	Other on request			0,8	1.76	T118A6601
DN 25 PN 10 / 16 Type B							T123A6601
DN 25 PN 25 / 40 Type B							T124A6601
1" ANSI 150 PSI							T151A6601
1" ANSI 300 PSI							T152A6601
DN 25 PN 10 / 16 Type B	Hastelloy		Other on request		1,7	3.75	T123A7701
DN 25 PN 25 / 40 Type B							T124A7701
1" ANSI 150 PSI							T151A7701
1" ANSI 300 PSI							T152A7701
undrilled	PEEK				Other on request	0,2	0.44
DN 25 PN 10 / 16 Type B				T123A9901			
DN 25 PN 25 / 40 Type B				T124A9901			
1 " ANSI 150 PSI				T151A9901			
1" ANSI 300 PSI				T152A9901			

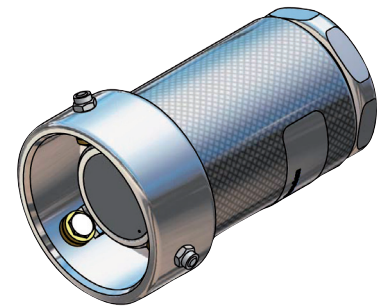


- 1) Flanges according to EN 1092 , ANSI B16.5 and DIN 28459.
 2) **Mtrl:** Al=Aluminium , Br=Brass, SS=Stainless Steel, Ti=Titan, Ha=Hastelloy, PE=PEEK
 3) Standard seal. Other on request.

Viton® (FPM) and Teflon® (FPM/KPM) are registered trademarks of DuPont, DuPont Elastomers. Vulkollan® is registered trademark of Bayer AG

1" (Ø56 mm) Hose unit / Coupler

Connection ¹⁾ Inch/DN	Material ²⁾	Seal ³⁾		Weight		Code No
		O-ring	Flat seal	kg	lbs	
F 1/2" BSP	Al		PUR (Vulkollan®)	0,5	1.10	S1133A1101B
F 3/4" BSP						S101A1101B
F 1" BSP						S103A1101B
F 1 1/4" BSP						S105A1101B
F M54x1,5						S1138A1101B
F 1/2" NPT						S1132A1101
F 3/4" NPT						S102A1101
F 1" NPT						S104A1101
F 1 1/4" NPT						S106A1101
F 1/2" BSP	Br		PUR (Vulkollan®)	1,4	3.09	S1133A2201B
F 3/4" BSP						S101A2201B
F 1" BSP						S103A2201B
F 1 1/4" BSP						S105A2201B
F M54x1,5						S1138A2201B
F 1/2" NPT						S1132A2201
F 3/4" NPT						S102A2201
F 1" NPT						S104A2201
F 1 1/4" NPT						S106A2201
F 1/2" BSP	SS	Standard: FPM/FKM (Viton®)	PTFE (Teflon®)	1,3	2.87	S1133A4401A
F 3/4" BSP						S101A4401A
F 1" BSP						S103A4401A
F 1 1/4" BSP						S105A4401A
F M54x1,5						S1138A4401A
F 1/2" NPT						S1132A4401
F 3/4" NPT						S102A4401
F 1" NPT						S104A4401
F 1 1/4" NPT						S106A4401
F 3/4" BSP	Titan	Other on request	PTFE (Teflon®)	0,7	1.54	S101A6601A
F 1" BSP						S103A6601A
F 1 1/4" BSP						S105A6601A
F 3/4" NPT						S102A6601
F 1" NPT						S104A6601
F 1 1/4" NPT	Hastelloy	Other on request	PTFE (Teflon®)	1,5	3.31	S101A7701A
F 3/4" BSP						S103A7701A
F 1" BSP						S105A7701A
F 3/4" NPT						S102A7701
F 1" NPT						S104A7701
F 1 1/4" NPT	PEEK	Other on request	PTFE (Teflon®)	0,3	0.66	S101A9901A
F 3/4" BSP						S103A9901A
F 1" BSP						S105A9901A
F 1 1/4" BSP						S102A9901
F 3/4" NPT						S104A9901
F 1" NPT						S106A9901
F 1 1/4" NPT						S106A9901



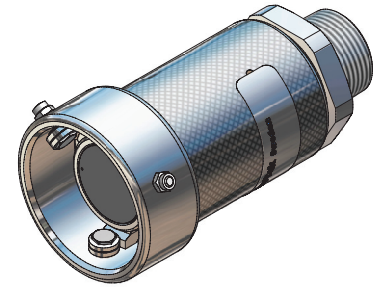
1) Female thread BSP=ISO 228, NPT=ANSI B1.20.1

2) **Mtrl:** Al=Aluminium, Br=Brass, SS=Stainless Steel, Ti=Titan, Ha=Hastelloy, PE=PEEK

3) Standard seal. Other on request.

1" (Ø56 mm) Hose unit / Coupler - Male thread

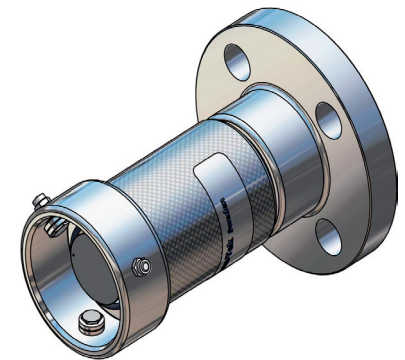
Connection ¹⁾ Inch/DN	Material ²⁾	Seal ³⁾	Weight		Code No						
		O-ring	kg	lbs							
M 3/4" BSP	Al	Standard: FPM/FKM (Viton®)			S169A1101						
M 3/4" NPT					S170A1101						
M 1" BSP					S171A1101						
M1" NPT					S172A1101						
M 3/4" BSP	Br				Other on request			S169A1101			
M 3/4" NPT								S170A1101			
M 1" BSP								S171A1101			
M 1" NPT								S172A1101			
M 3/4" BSP	SS							Other on request			S169A4401
M 3/4" NPT											S170A4401
M 1" BSP											S171A4401
M 1" NPT											S172A4401



- 1) Male thread BSP=ISO 228, NPT=ANSI B1.20.1 3) Standard seal. Other on request.
 2) **Mtrl:** Al=Aluminium, Br=Brass, SS=Stainless Steel

1" (Ø56 mm) Hose unit / Coupler, Flanged inlet

Flange ¹⁾	Body Material ²⁾	Seal ³⁾	Weight		Code No												
		O-ring	kg	lbs													
undrilled	Al	Standard: FPM/FKM (Viton®)			S118A1101												
DN 25 PN 10 / 16 Type A					S123A1101												
DN 25 PN 25 / 40 Type A					S124A1101												
3/4" ANSI 150 PSI					S149A1101												
1" ANSI 150 PSI					S151A1101												
1 " ANSI 300 PSI					S152A1101												
DN 25 DIN 11864					S1151A1101												
undrilled					Br	Other on request			S118A2201								
DN 25 PN 10 / 16 Type B	S123A2201																
DN 25 PN 25 / 40 Type B	S124A2201																
3/4" ANSI 150 PSI	S149A2201																
1" ANSI 150 PSI	S151A2201																
1" ANSI 300 PSI	S152A2201																
undrilled	SS				Other on request						S118A4401						
DN 25 PN 10 / 16 Type B											S123A4401						
DN 25 PN 25 / 40 Type B											S124A4401						
3/4" ANSI 150 PSI											S149A4401						
1" ANSI 150 PSI											S151A4401						
1" ANSI 300 PSI											S152A4401						
undrilled	Titan										Other on request			S118A6601			
DN 25 PN 10 / 16 Type B														S123A6601			
DN 25 PN 25 / 40 Type B														S124A6601			
1" ANSI 150 PSI														S151A6601			
1" ANSI 300 PSI														S152A6601			
DN 25 PN 10 / 16 Type B	Hastelloy	Other on request												S123A7701			
DN 25 PN 25 / 40 Type B														S124A7701			
1" ANSI 150 PSI														S151A7701			
1" ANSI 300 PSI														S152A7701			
undrilled	PEEK													Other on request			S118A9901
DN 25 PN 10 / 16 Type B																	S123A9901
DN 25 PN 25 / 40 Type B																	S124A9901
1 " ANSI 150 PSI						S151A9901											
1" ANSI 300 PSI						S152A9901											



- 1) Flanges according to EN 1092 , ANSI B16.5 and DIN 28459.
 2) **Mtrl:** Al=Aluminium, Br=Brass, SS=Stainless Steel, Ti=Titan, Ha=Hastelloy, PE=PEEK
 3) Standard seal. Other on request.

Viton® (FPM) and Teflon® (FPM/KPM) are registered trademarks of DuPont, DuPont Elastomers. Vulkollan® is registered trademark of Bayer AG