

COLOUR CODING

For a clear assignment of coupling and medium, the body, flange and handles of our couplings are available in any required colour.



LOCKING DEVICE

Option for hose units. Once coupled, the connection is automatically locked and can not loosen unintentionally. No modification on the tank unit is needed.



LOCKING DEVICE

TIGHTNESS CONTROL

This is a feature for detecting eventual leakage before disconnecting the hose and the tank unit. If the valves in the hose or tank unit fail to seal properly, due to damage or foreign parts, the leakage will be detected. This occurs before the hose and tank unit can be separated mechanically thanks to a patented automatic blocking function. This prevents the operator from being exposed to dangerous media.



HOSE UNIT WITH ELECTRONIC SENSOR

The sensor detects whether the valves are in an open or closed position. The signal from the sensor may be used to start transferring the liquid or can be integrated into a safety system preventing driveaway accidents, for example. No modification on the tank unit is needed.

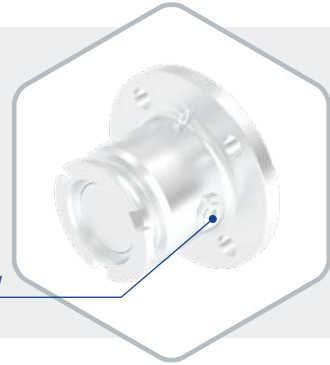


ELECTRONIC SENSOR

DRAIN CONNECTION FOR TANK AND HOSE UNIT

For easy draining, venting and sampling.

3/8" DRAIN CONNECTION SCREW



HOSE UNIT WITH BREAK AWAY INTEGRATED

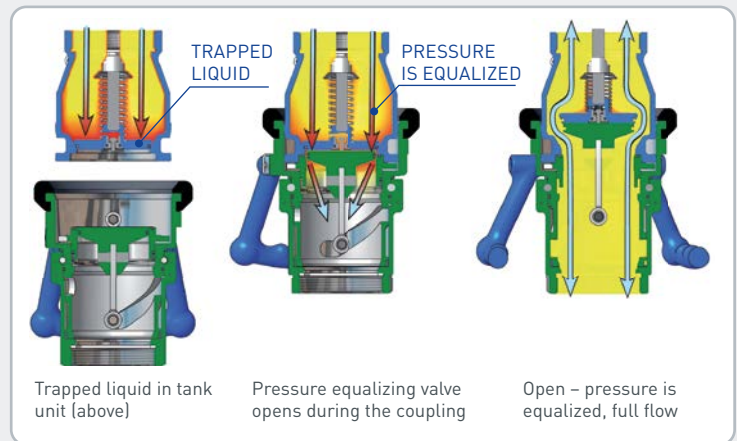
If there is a risk of excessive force on the hose due to unexpected motion between the loading and unloading units, the DDC can be combined with a safety break away.



PRESSURE EQUALIZING VALVE

If liquid is trapped behind the tank unit, due to a closed valve or the tank unit being exposed to high pressure, it will be difficult/impossible to connect the hose unit.

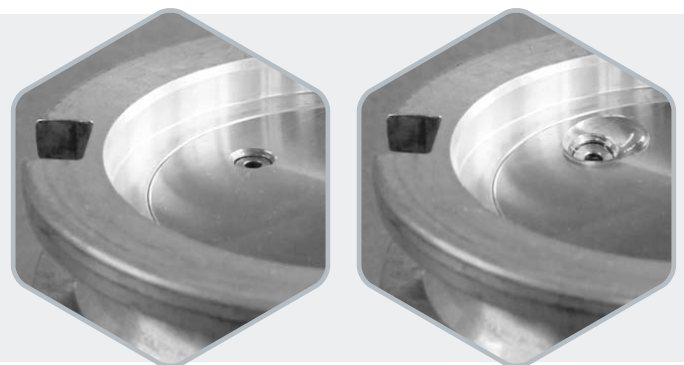
The optional pressure-equalising valve relieves the pressure from tank unit when the hose unit is connected and before the valves opens.



PRESSURE BLEEDING VALVE

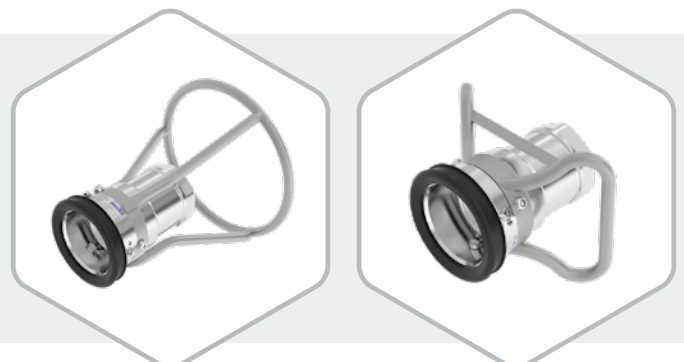
For special operating conditions where there is the risk of excessive pressure increase through warming in the pipe/hose system.

To protect the equipment, the optional pressure bleeding valve opens at a predetermined pressure limit.



SPECIAL HANDLES

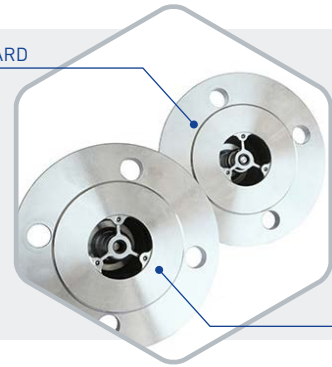
Customised for special applications.



NONE-PROJECTING PISTONS

When coupled, the piston spindle does not protrude. This special type is e.g. useful when tank unit is direct mounted to ball valves.

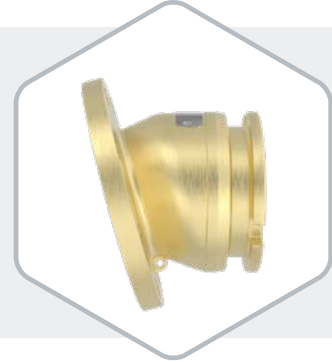
TANK UNIT STANDARD



TANK UNIT WITH SHORT PISTON

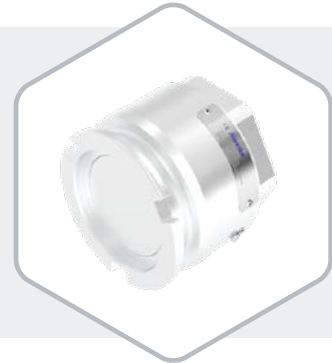
ANGULAR TANK UNIT

Available in brass.



COMPACT TANK UNIT

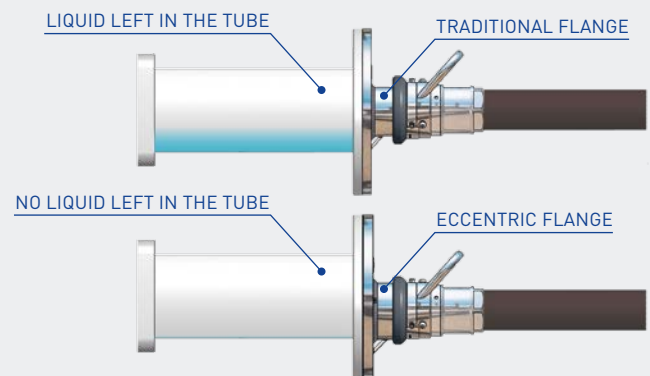
For use where the space are restricted i.e. inside the cabinet on a tank truck.



ECCENTRIC FLANGE

TANK UNIT BODY POSITIONED ECCENTRICALLY

Where there is a risk of liquid being left in the pipe, a tank unit with an eccentric flange minimises the amount of liquid remaining in the pipe following operation.



OPEN/CLOSE INDICATOR

Shows in which direction the coupling should be turned. Indicates the end positions and whether the valves are open or closed.

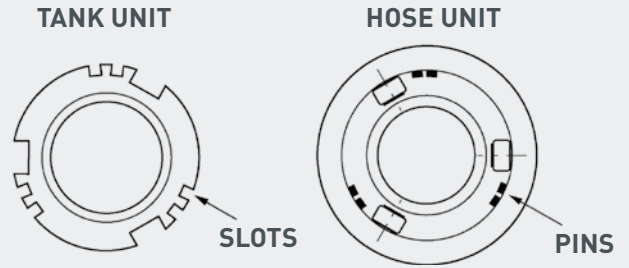


SELECTIVITY (CODING) SYSTEM

OVERVIEW

To prevent accidental mixing of media, a selectivity (coding) system for DDCouplings is available. Tank units are equipped with slots, hose units with pins.

Depending on the size of the coupling and required compatibility, the number of possible 'selectivity positions' varies.

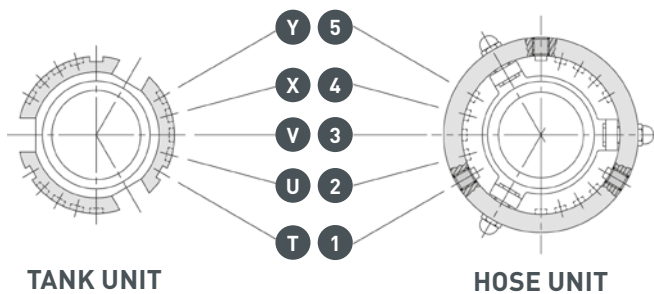


PRODUCT	SIZE	POSITION
Avgas 100 / 130	2½", 3", 4"	1
Avgas 108 / 135	2½", 3", 4"	2
Avgas 115 / 145	2½", 3", 4"	3
Avtur (Derd 2495) JP1, ATK, ATF 650. JET 'A'	2½", 3", 4"	4
Avtag (Derd 2486) JP4, ATG, JET 'B'	2½", 3", 4"	5

SELECTIVITY SYSTEM FOR 1" (Ø 56 MM)

Compatible with MannTek, TODO.

Each unit can be provided with selectivity according to two systems – with 5 or 10 positions (see chart).



WITH 5 POSITIONS				
T	U	V	X	Y
1	2	3	4	5

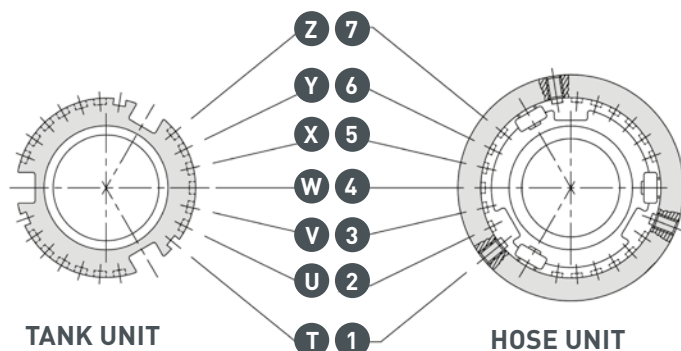
WITH 10 POSITIONS				
TU	TV	TX	TY	UV
12	13	14	15	23
24	25	34	35	45
UX	UY	VX	VY	XY

MEDIA	POSITION
acrylonitrile	4 (X)
ethylene oxide	2 (U)
propylene oxid	3 (V)

SELECTIVITY SYSTEM FOR 2" (Ø 70 MM)

Compatible with MannTek, TODO, Avery Hardoll, NATO STANAG 3756.

Each unit can be provided with selectivity according to two systems – with 7 or 21 positions (see chart).



MEDIA	POSITION
acrylonitrile	X (5)
ethylene oxide	V (3)
propylene oxide	W (4)

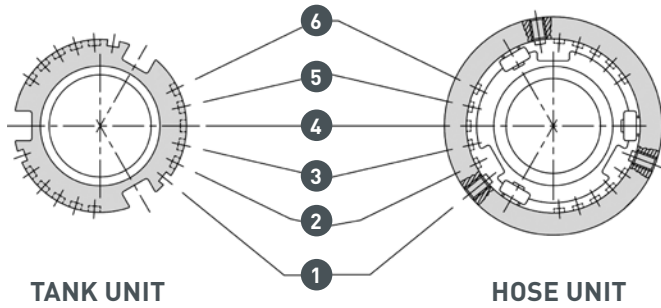
WITH 7 POSITIONS						
T	U	V	W	X	Y	Z
1	2	3	4	5	6	7

WITH 21 POSITIONS										
TU	TV	TW	TX	TY	TZ	UV	UW	UX	UY	UZ
12	13	14	15	16	17	23	24	25	26	27
34	35	36	37	45	46	47	56	57	67	
VW	VX	VY	VZ	WX	WY	WZ	XY	XZ	YZ	

SELECTIVITY SYSTEM FOR 2" (Ø 70 MM) – SPECIAL VERSION FORT VALE™

Compatible with Fort Vale.

Each unit can be provided with selectivity with 15 positions (see chart).

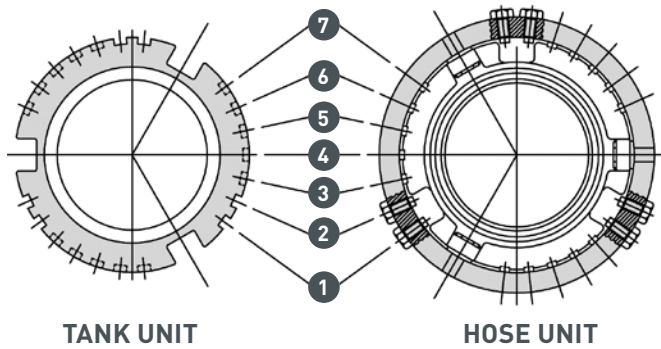


WITH 15 POSITIONS														
A	B	C	D	E	F	G	H	J	K	L	M	N	P	Q
12	13	14	15	16	17	23	24	25	26	34	35	36	45	56

SELECTIVITY SYSTEM FOR 2½" (Ø 105 MM)

Compatible with MannTek, TODO, NATO STANAG 3756, Avery Hardoll.

Each unit can be provided with selectivity according to two systems – with 7 or 21 positions (see chart).



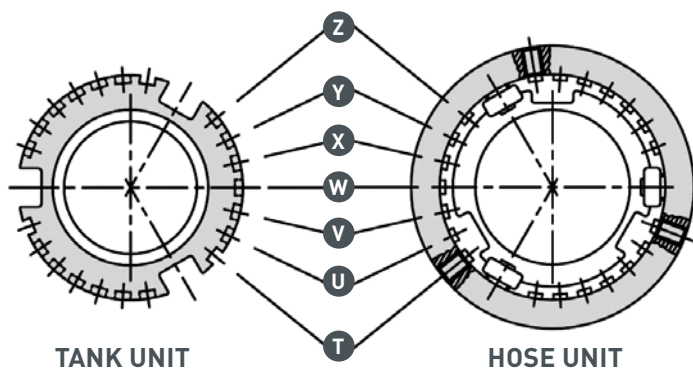
WITH 7 POSITIONS						
1	2	3	4	5	6	7

WITH 21 POSITIONS											
A	B	C	D	E	F	G	H	I	K	L	
12	13	14	15	16	17	23	24	25	26	27	
34	35	36	37	45	46	47	56	57	67		
M	N	P	Q	R	S	T	U	V	W		

SELECTIVITY SYSTEM FOR 2½" (Ø 105 MM) – SPECIAL VERSION FULCRUM

Compatible with Fulcrum.

Each unit can be provided with selectivity according to two systems – with 7 or 21 positions (see chart).



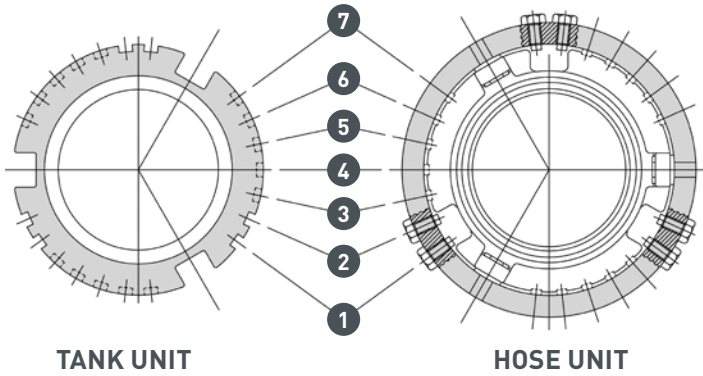
WITH 7 POSITIONS						
1	2	3	4	5	6	7

WITH 21 POSITIONS						
TU	TV	TW	TX	TY	TZ	UV
UW	UX	UY	UZ	VW	VX	VY
VZ	WX	WY	WZ	XY	XZ	YZ

SELECTIVITY SYSTEM FOR 3" (Ø 119 MM)

Compatible with MannTek, TODO, NATO STANAG 3756, Avery Hardoll.

Each unit can be provided with selectivity according to two systems – with 7 or 21 positions (see chart).



MEDIA	POSITION
acrylonitrile	36 (P)
ethylene oxide	34 (M)
propylene oxide	35 (N)

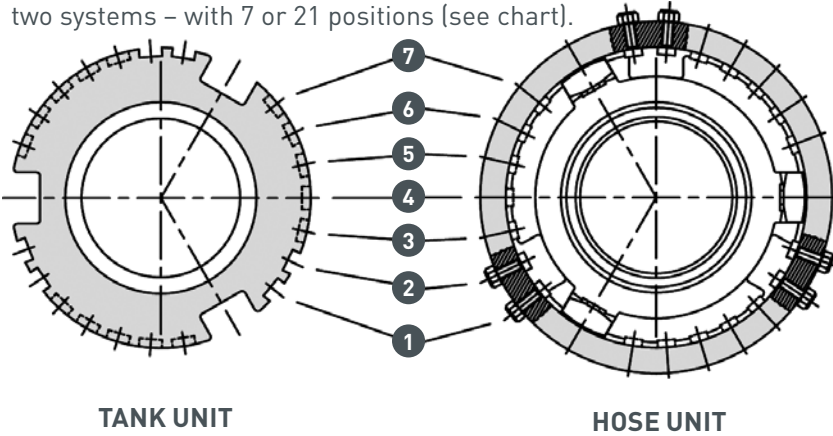
WITH 7 POSITIONS						
1	2	3	4	5	6	7

WITH 21 POSITIONS											
A	B	C	D	E	F	G	H	I	K	L	
12	13	14	15	16	17	23	24	25	26	27	
34	35	36	37	45	46	47	56	57	67		
M	N	P	Q	R	S	T	U	V	W		

SELECTIVITY SYSTEM FOR 4" (Ø 164 MM)

Compatible with MannTek, TODO, NATO STANAG 3756, Avery Hardoll.

Each unit can be provided with selectivity according to two systems – with 7 or 21 positions (see chart).



MEDIA	POSITION
acrylonitrile	36 (P)
ethylene oxide	34 (M)
propylene oxide	35 (N)

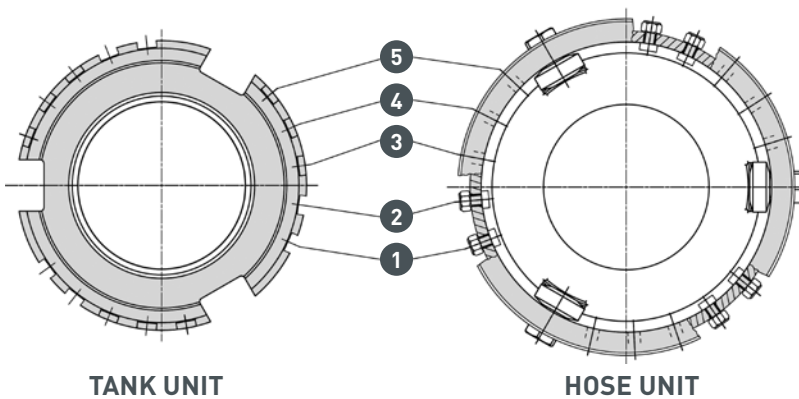
WITH 7 POSITIONS						
1	2	3	4	5	6	7

WITH 21 POSITIONS											
A	B	C	D	E	F	G	H	I	K	L	
12	13	14	15	16	17	23	24	25	26	27	
34	35	36	37	45	46	47	56	57	67		
M	N	P	Q	R	S	T	U	V	W		

SELECTIVITY SYSTEM FOR 6" (Ø 238 MM)

Compatible with TODO.

Each unit can be provided with 10 selectivity positions (see chart).



WITH 10 POSITIONS				
12	13	14	15	23
24	25	34	35	45